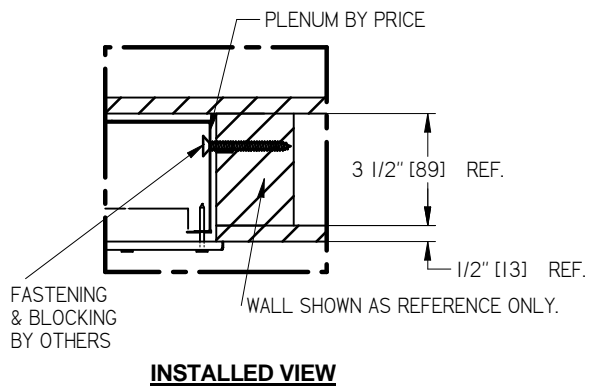
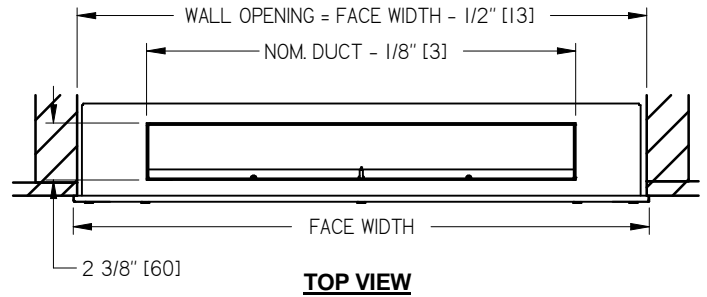
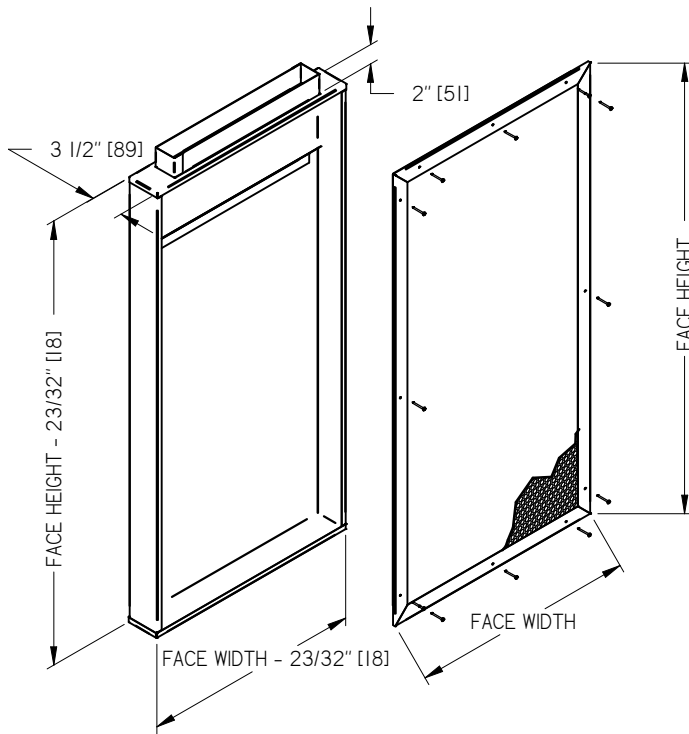


DFW - DISPLACEMENT FLOW IN-WALL DIFFUSER



SIZE:

- ORDER BY FACE WIDTH X FACE HEIGHT
- WALL OPENING WIDTH = FACE WIDTH - 1/2"(13)
- WALL OPENING HEIGHT = FACE HEIGHT - 1/2"(13)
- MINIMUM FACE SIZE 15"(381) X 15"(381)
- MAXIMUM FACE SIZE 48"(1219) X 24"(610)

NOTES:

- SURFACE MOUNT
- FACTORY TOLERANCE +/- 1/16" (2)
- ALL FACES COME WITH INTERNAL BAFFLE

STANDARD MATERIAL:

- PERFORATED FRONT PANEL 18 GA. STEEL
- PLENUM - 24 GA STEEL
- FRAME - 20 GA. STEEL

INLET SIZE:

- 12"(305) X 2 1/2"(64)
FOR FACE WIDTH LESS THAN 20"(508)
- 18"(457) X 2 1/2"(64)
FOR FACE WIDTH GREATER THAN OR EQUAL TO 20"(508)
- 20"(508) X 2 1/2"(64)
FOR FACE WIDTH GREATER THAN OR EQUAL TO 22"(559)

FACE FINISH:

- F-B12 STANDARD WHITE
- F-B15 GREY
- F-B17 BLACK
- F-B25 BAKED ENAMEL TO MATCH SAMPLE
- F-#4 BRUSHED STAINLESS STEEL
- F-PC12 PRIME COAT
- F-SPL SPECIAL FINISH

PLENUM FINISH:

- PL-MILL GALVANNEAL MILL
- PL-2B STAINLESS STEEL MILL

ALL METRIC DIMENSIONS () ARE SOFT CONVERTED. IMPERIAL DIMENSIONS ARE CONVERTED TO METRIC AND ROUNDED TO THE NEAREST MILLIMETER.

PROJECT:		PRICE
ENGINEER:		
CUSTOMER:		DFW
SUBMITTAL DATE:		DISPLACEMENT FLOW IN-WALL DIFFUSER
SPEC. SYMBOL:		269254
		2017/11/22